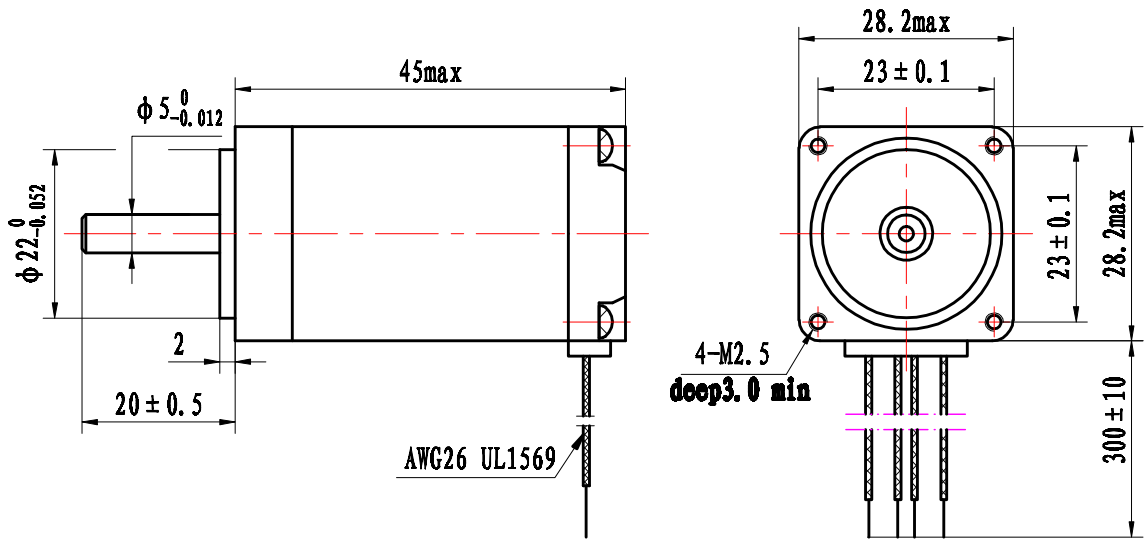


HYBRID STEPPING MOTOR 11HY4403-20

REV A

| General specification | | Electrical specification | | Wiring diagram |
|-----------------------|---------------------|--------------------------|------------|----------------|
| Step angle | 1.8° ± 5% | Rated voltage | 2.5V | |
| Number of phase | 2 | Rated current | 1A | |
| Insulation resistane | 100MΩmin. (500V DC) | Resistance per phase | 2.5Ω ± 10% | |
| Insulation class | Class B | Inductance per phase | 1mH ± 20% | |
| Rotor inertia | 15g.cm ² | Holding torque | 50mN.m | |
| Mass | 0.16kg | Detent torque | 8mN.m | |



11HY
4403-20

| | | | | | | | |
|----|----|-------|-----|------------|-------|-------|----|
| | | | | | | | |
| | | | | | | | |
| | | | | | | | |
| | | | | | | | |
| 标记 | 失效 | 更改文件号 | 签字 | 日期 | 图样标记 | 重量 | 比例 |
| 设计 | | | 标准化 | | | | |
| | | | | | | | |
| 审核 | | | | | | | |
| 工艺 | | | 日期 | 2012.08.01 | 共 1 张 | 第 1 张 | |

ROBOTDIGG
11HY4403-20型步进电机
规格书